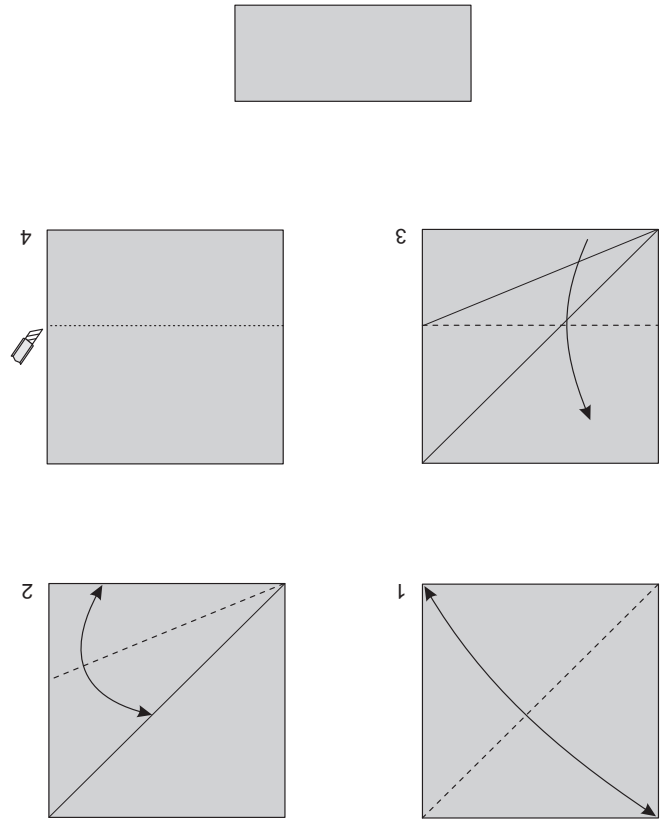
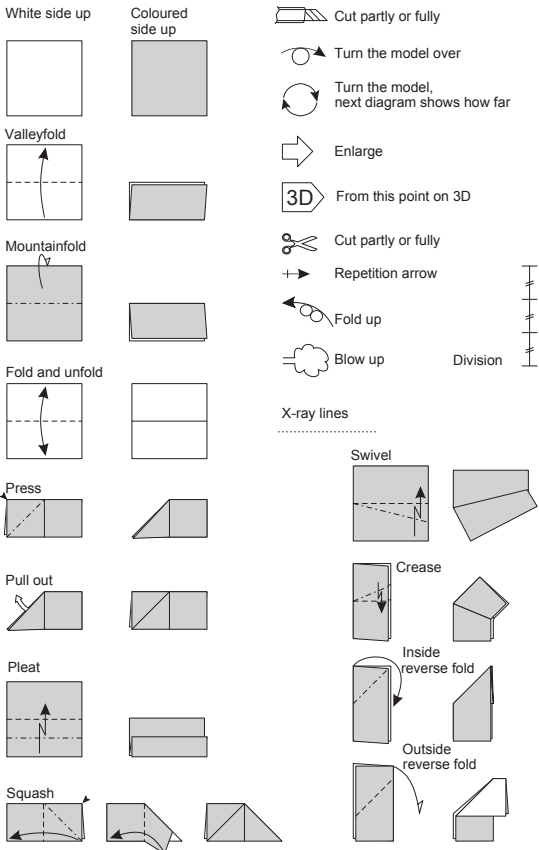


Cutting A-size paper from a square

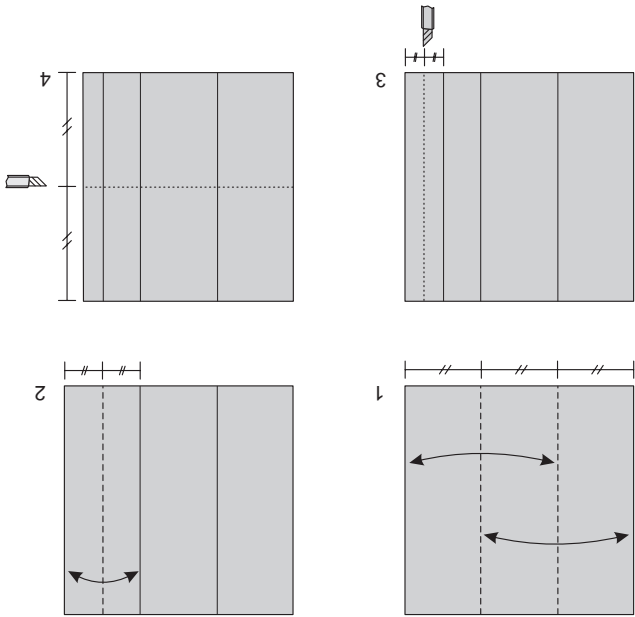


Cutting Dollar note from a square

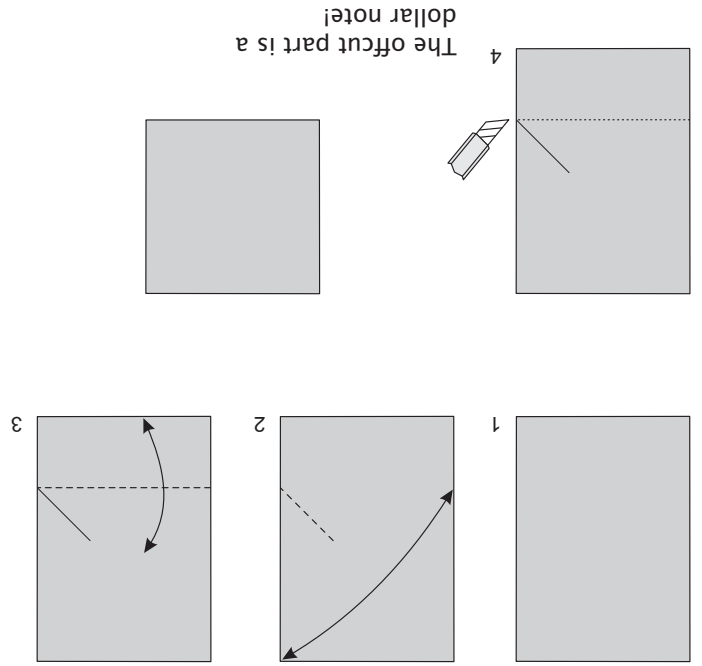
folding instructions



Currency and A-size
booklet

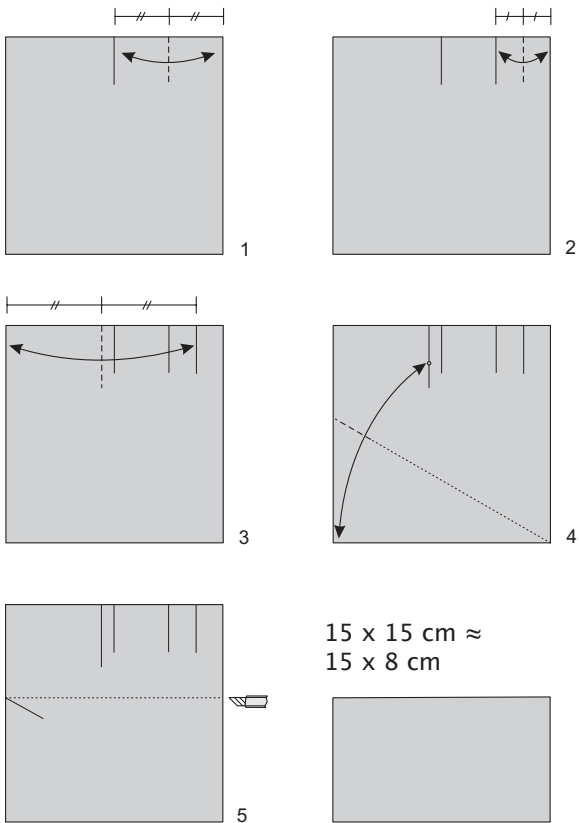


Cutting Lira note from a square
Luigi Leonardi - Italy



Cutting a square from any rectangle

Cutting Euro note from a square
Klaus-Dieter Ennen - Germany



Cutting A-size paper from any rectangle

