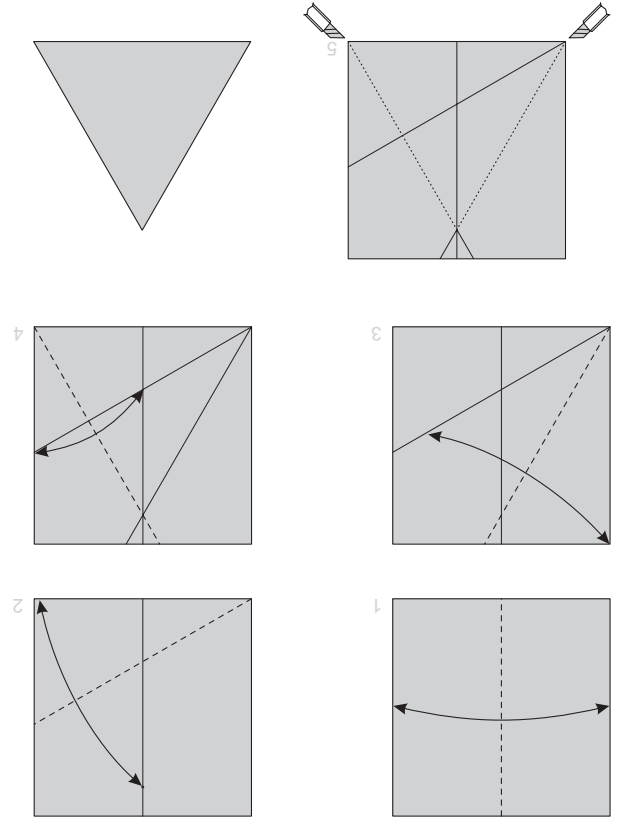
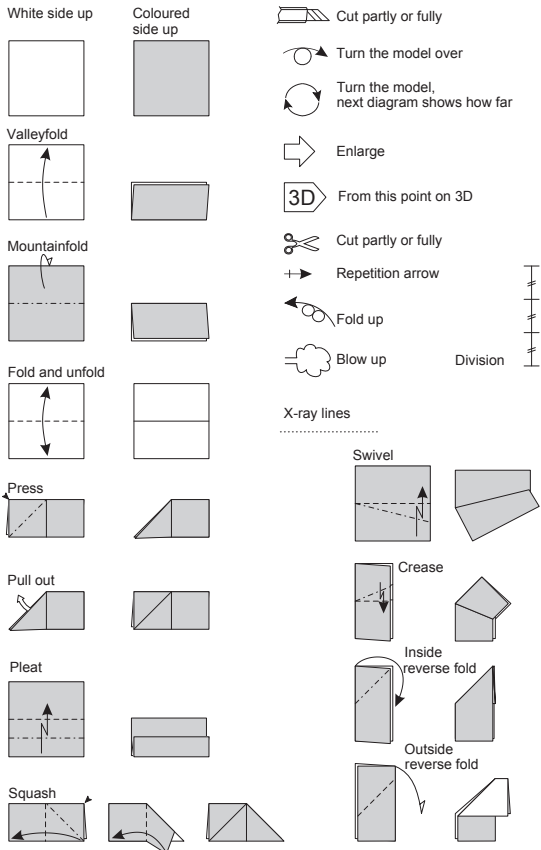


Largest possible equilateral triangle from a square

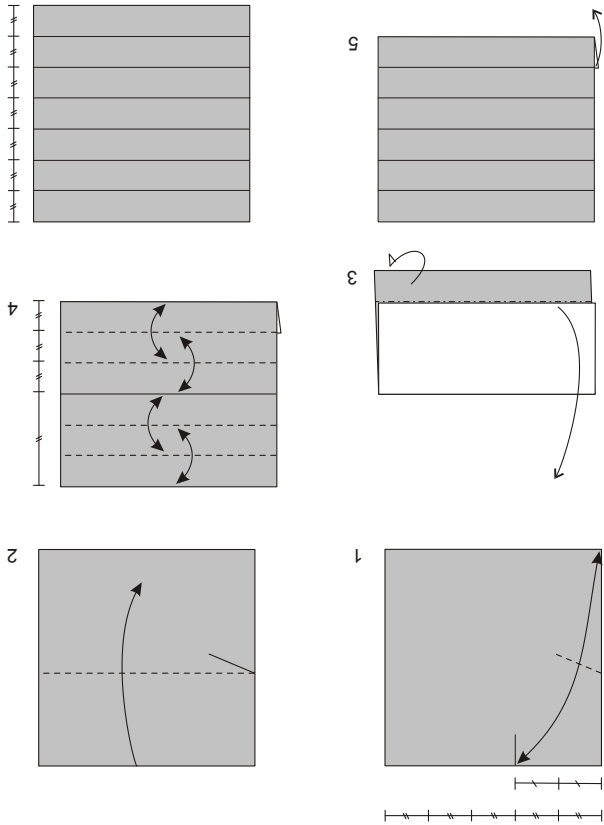


Equilateral Triangle

folding instructions

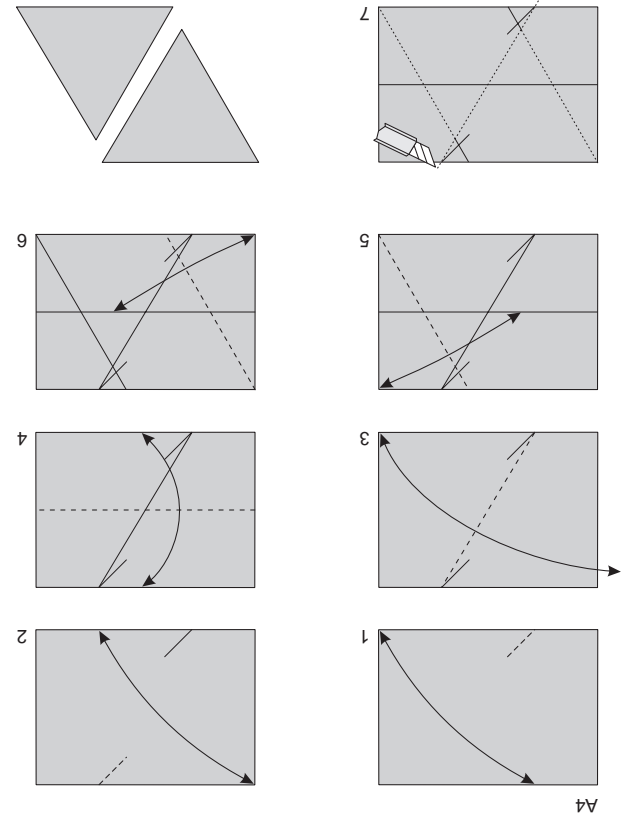
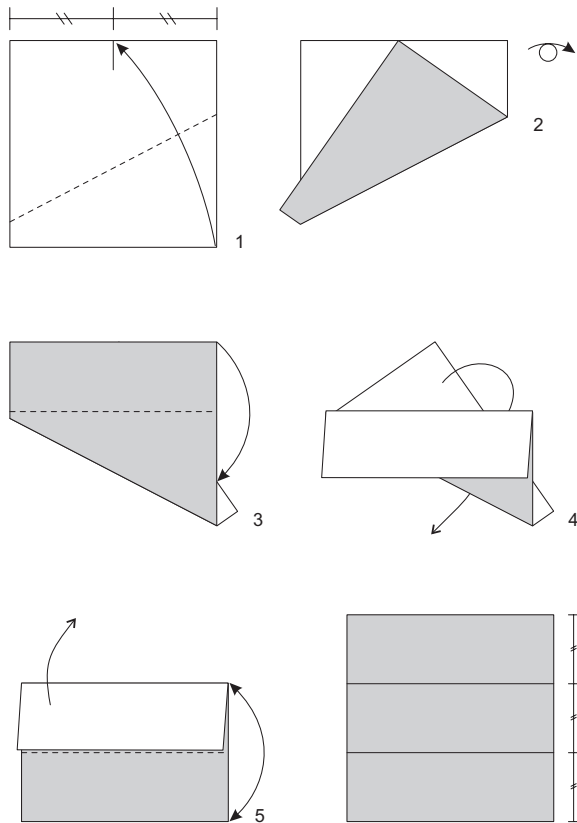


Divisions and polygons booklet



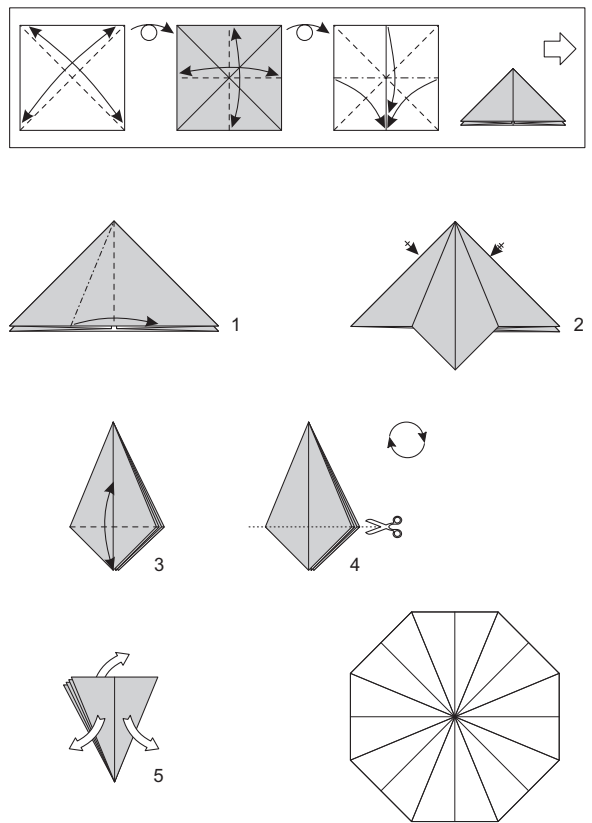
Division into Sevenths  
with thanks to Stephen O'Hanlon - USA

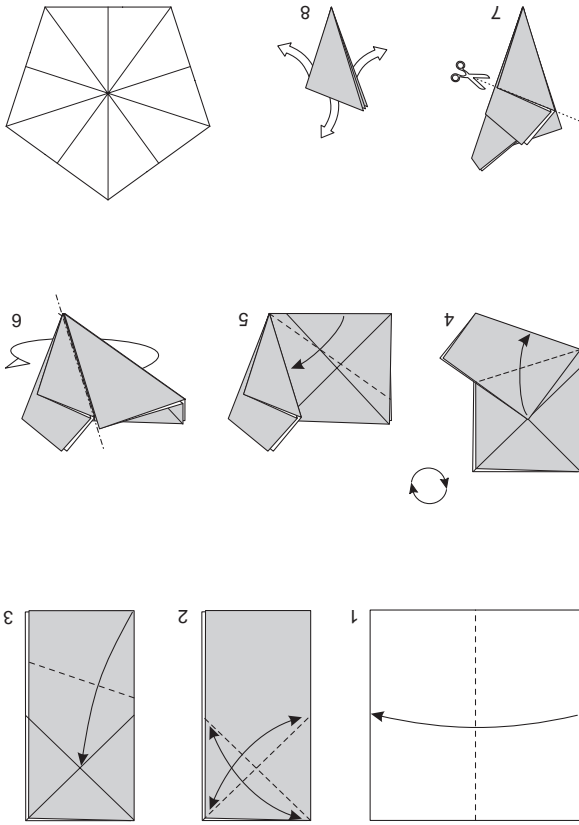
Division into Thirds  
with thanks to Stephen O'Hanlon - USA



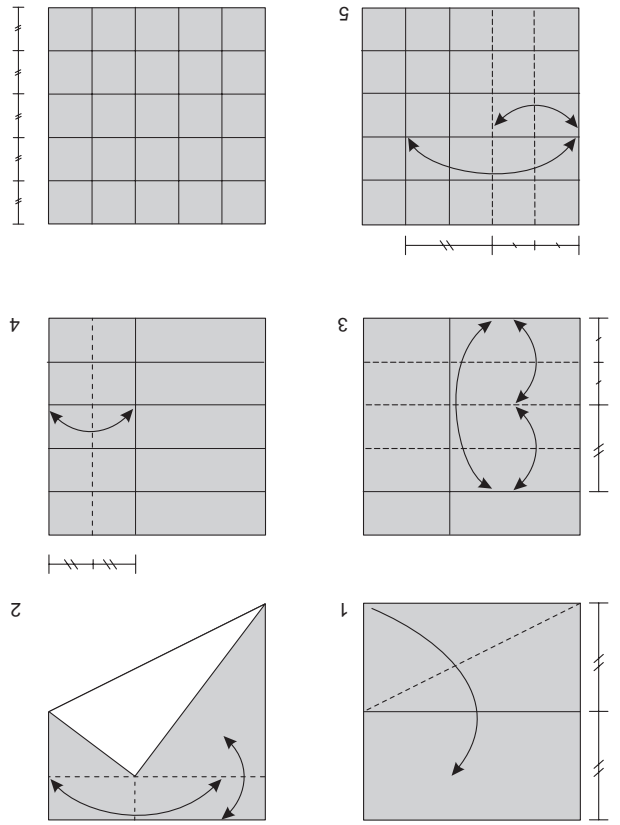
2 Equilateral Triangles from an A-size rectangle  
with thanks to Dennis Walker - GB

Octagon



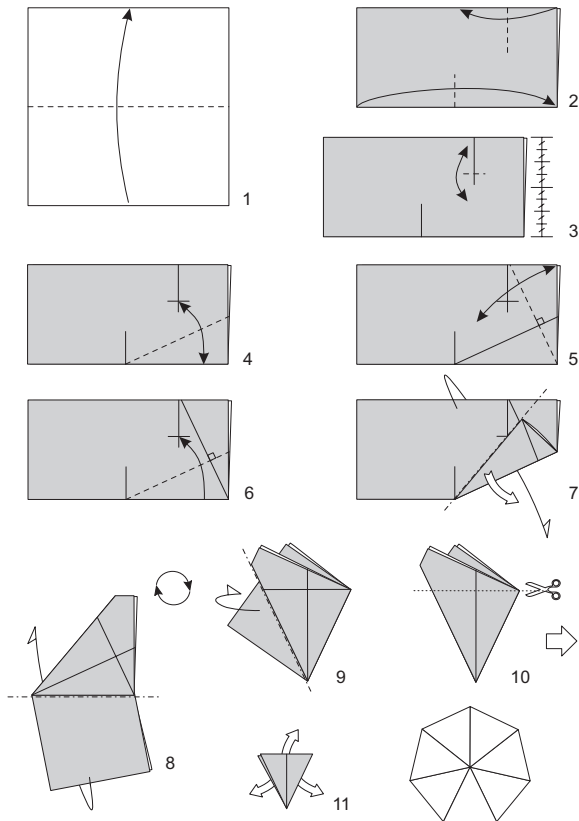


Pentagon - method 1

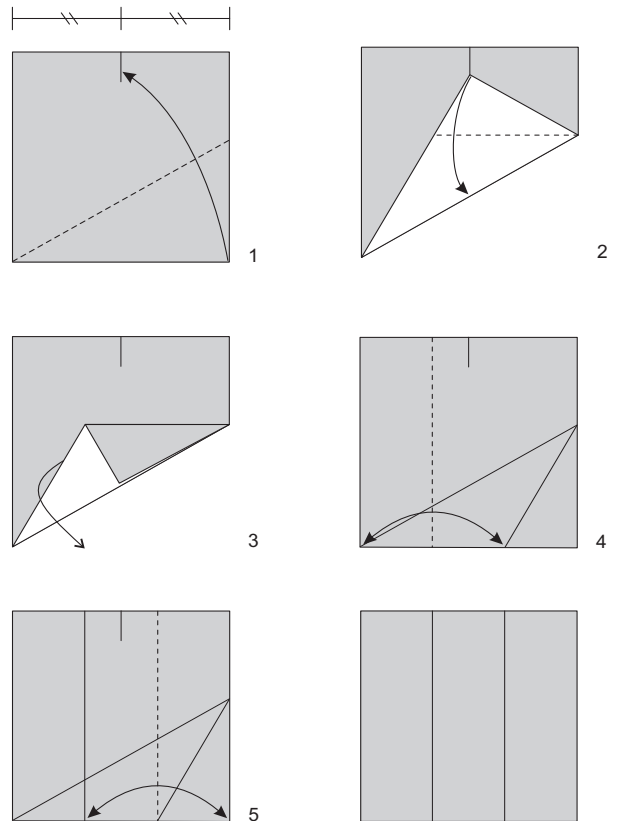


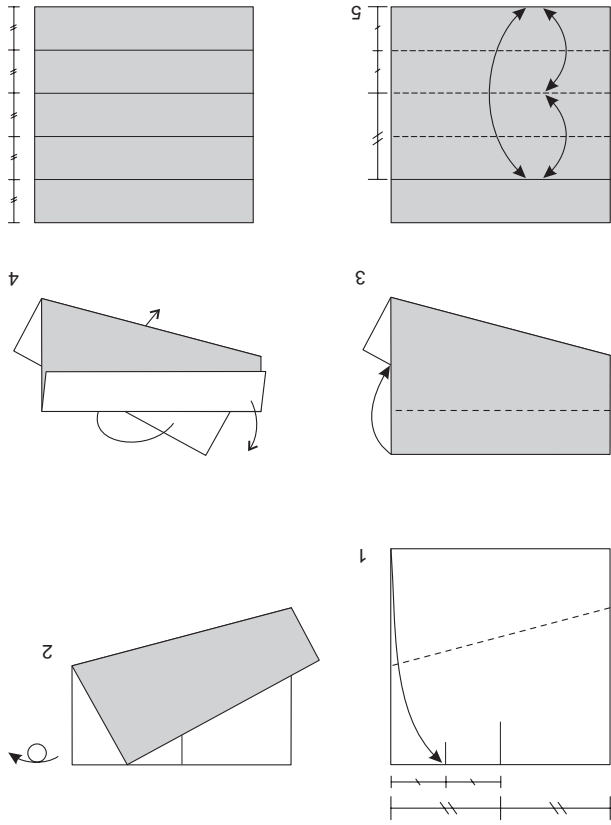
Division into Fifths  
with thanks to Dennis Walker - GB

Heptagon  
with thanks to Dennis Walker - GB

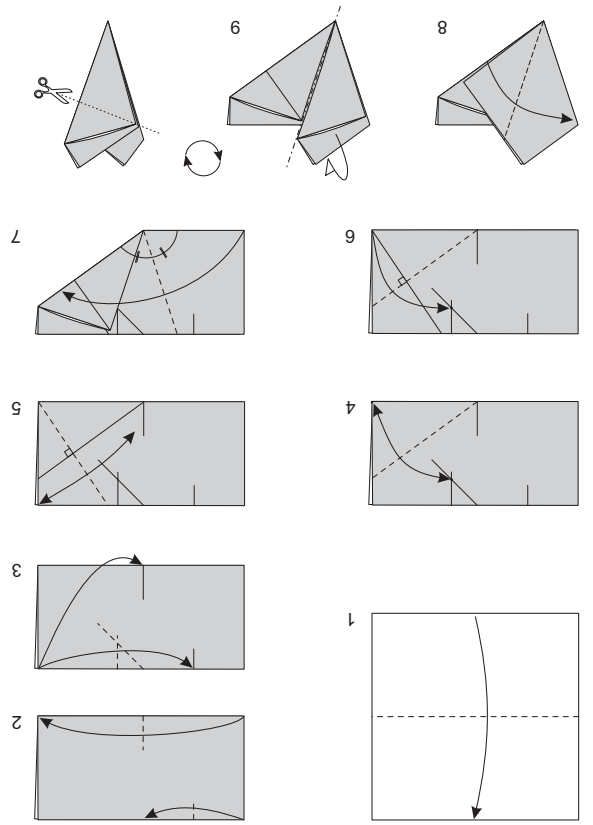


Division into Thirds - method 1  
with thanks to Dennis Walker - GB



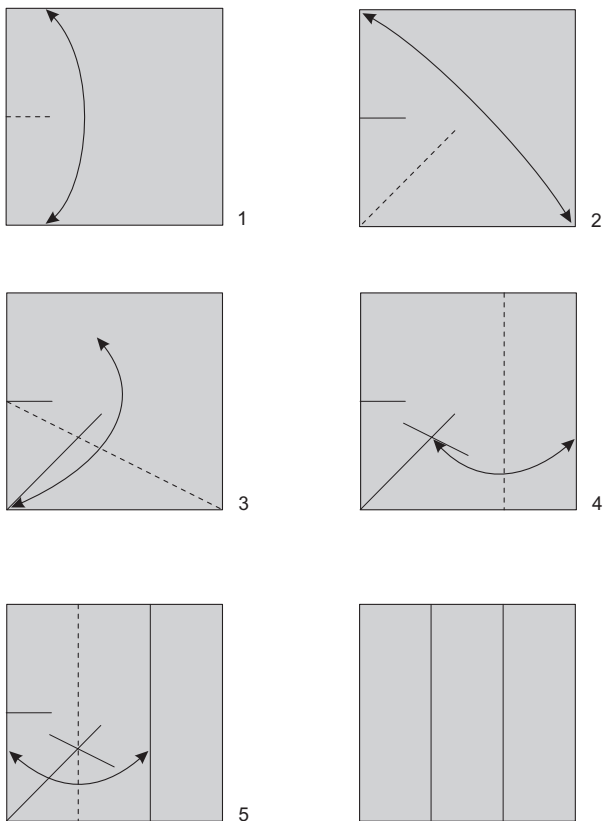


Division into Fifths with thanks to Stephen O'Hanlon - USA



Pentagon - method 2 with thanks to Dennis Walker - GB

Division into Thirds - method 2 with thanks to Dennis Walker - GB



Hexagon

