

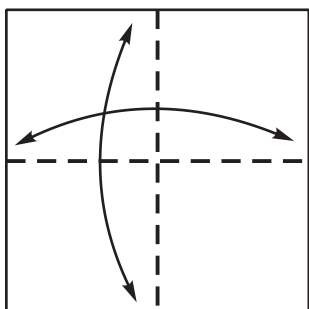
Ottaedro tronco traforato

by Paolo Bascetta

Diagrams by Paolo Bascetta and Francesco Decio

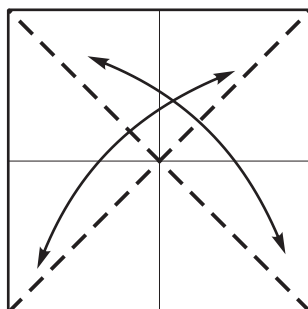
Template

1



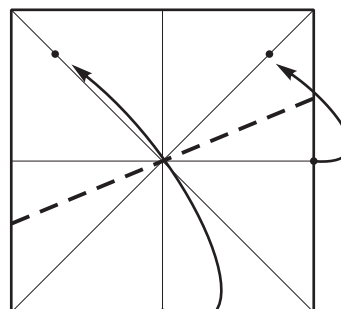
Fold axis, open

2



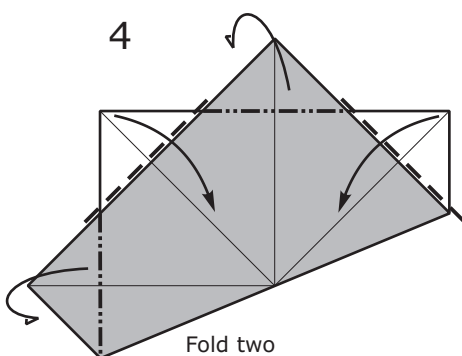
Fold diagonals

3



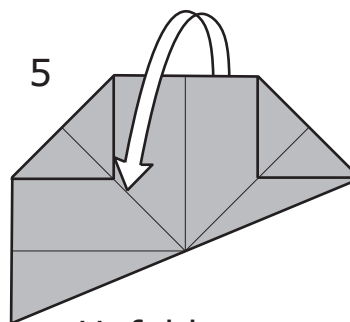
fold so that the midpoints of the lower and lateral sides overlap to the diagonals. In this way.

4



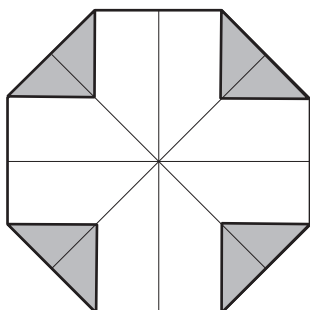
Fold two angles valley fold and the other two mountain fold

5



Unfold

6



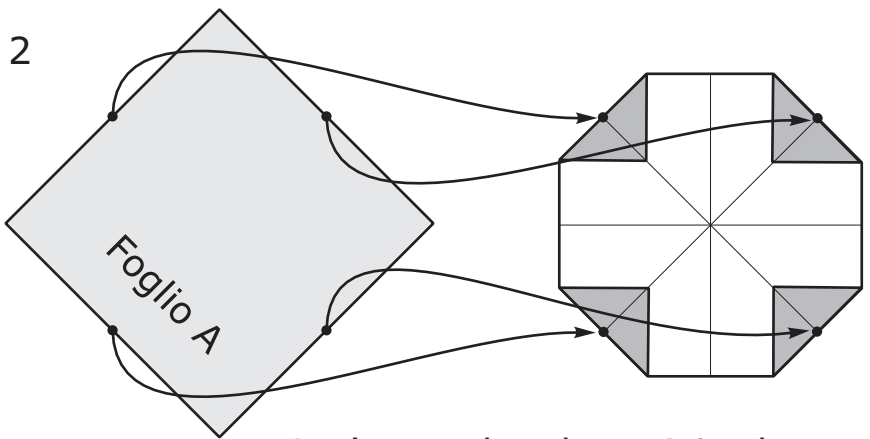
Template completed

1

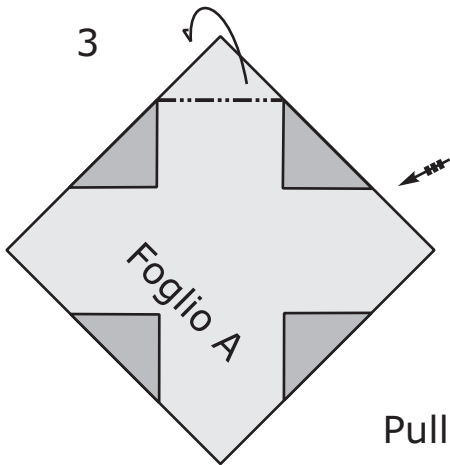


Let's take another sheet and call it A

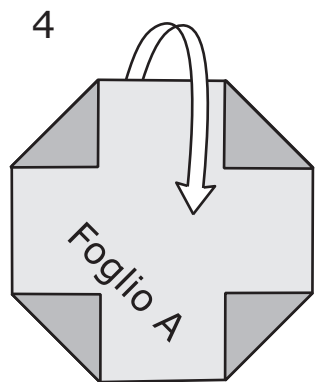




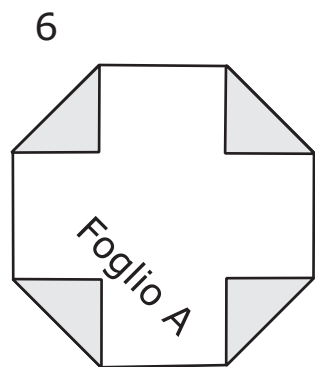
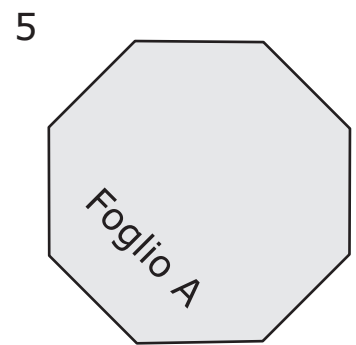
Let's put the sheet A in the template



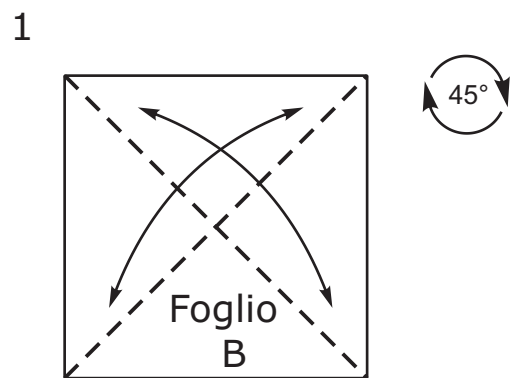
mountain fold four flaps



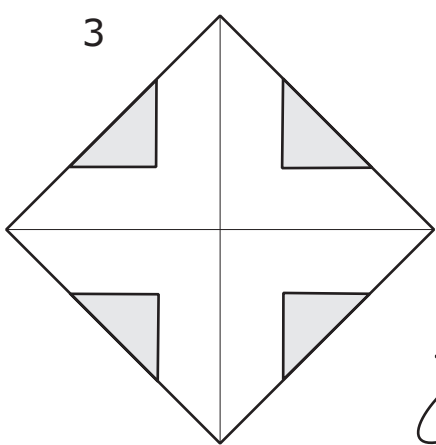
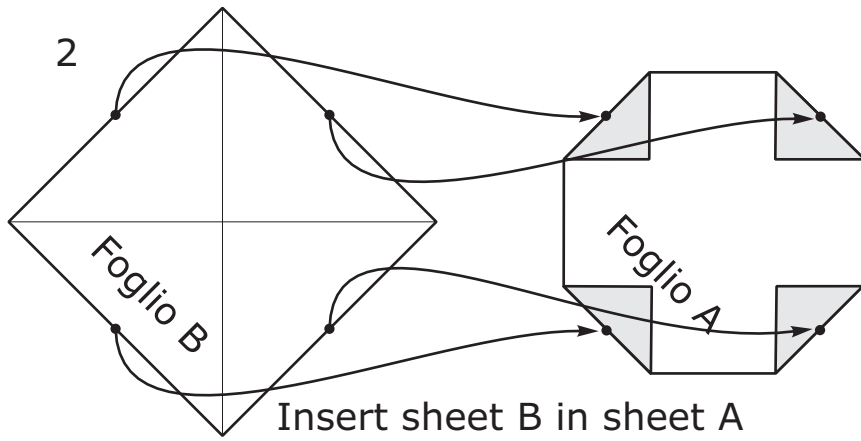
Pull out sheet A from the template



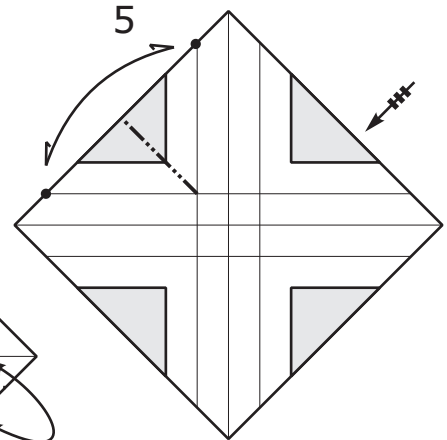
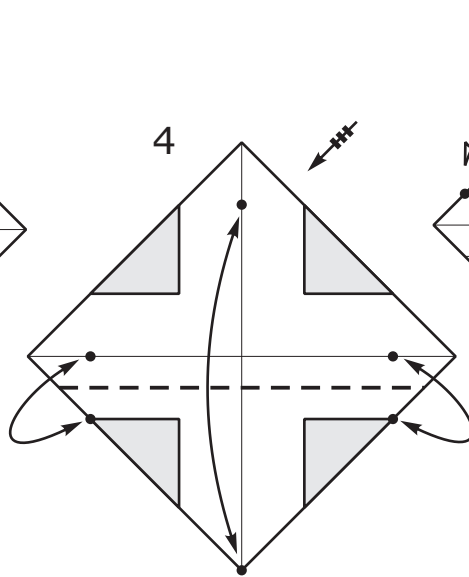
Sheet A complete



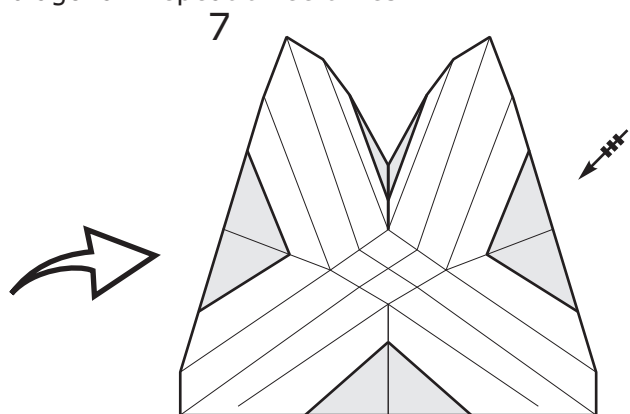
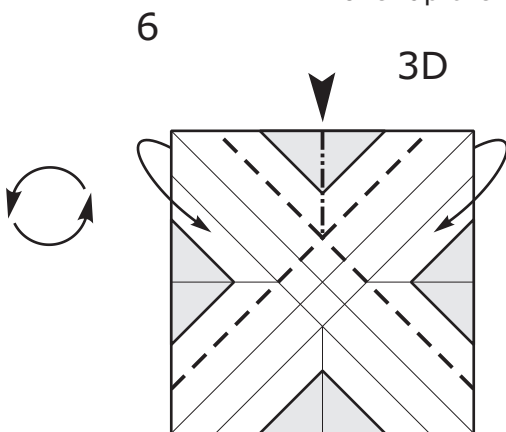
Fold two diagonals

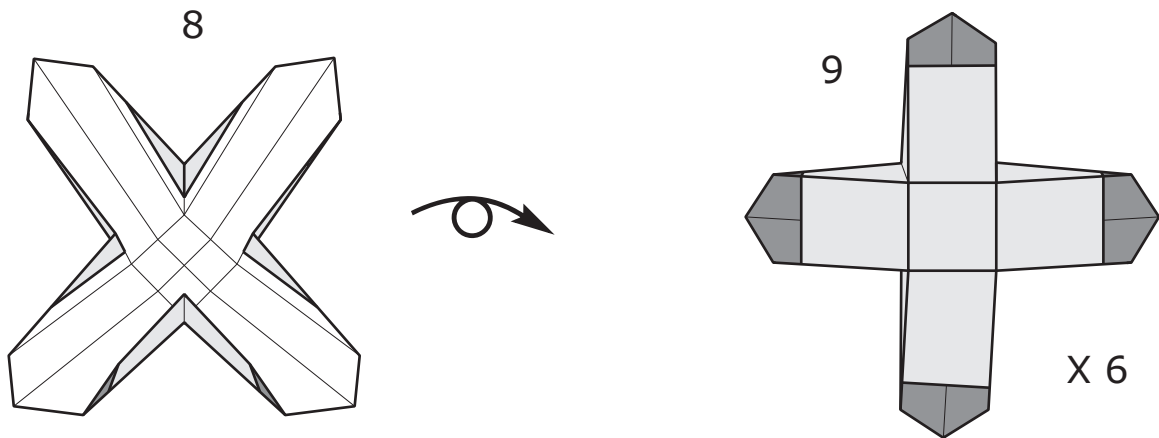


In this way

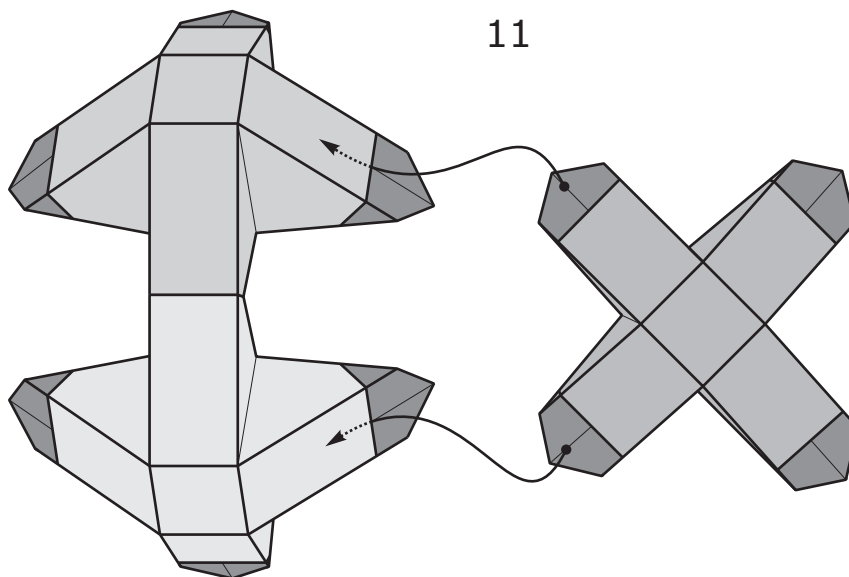
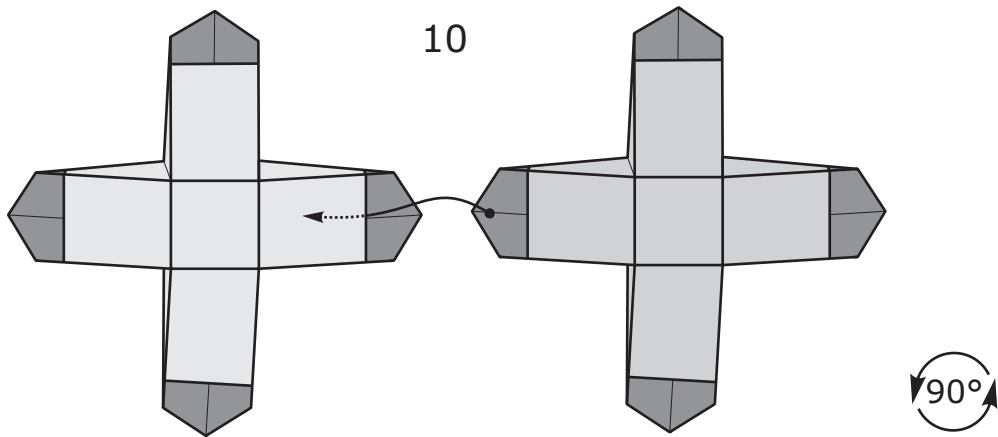


Fold so that the tip at the bottom goes up on the diagonal and these two points overlap the other diagonal. Repeat three times

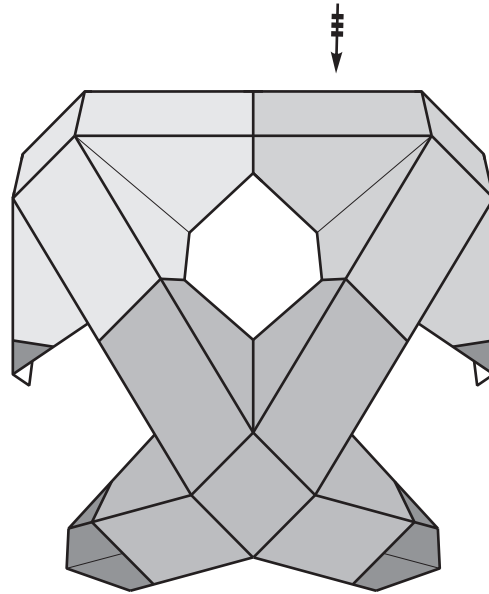




Unit assembling



12



13

